

**Product(s):** DHPR8000,  
DHPR8001, DHPR8002,  
DHPR8003, DHPR8004  
**Rev:** 21Aug12



## INSTRUCTIONS FOR INSTALLATION

### INCLUDED PARTS

- 1- Privacy Latch
- 2- Face Plate
- 3- 2 Wood Screws
- 4- C-Clip (on latch)
- 5- 2 Nylon Self-Alignment Plugs
- 6- Mounting Bracket Plate
- 7- Mounting Bracket Plate with Posts
- 8- Privacy Spindle
- 9- 2 Machine Screws
- 10- Knob or Lever
- 11- 2 Nylon Spindle Guides/Trim Nut Bushings
- 12- 2 Trim Nuts
- 13- Privacy Rosette
- 14- 2 Set Screws
- 15- Trim Nut Key
- 16- Privacy Pin
- 17- Allen Wrench



San Michele  
DHPR8000

**NOTE:** For doors thicker than 1 3/8", a longer spindle is required. Contact your dealer or retailer to order.

### INSTRUCTIONS

1. Remove C-clip from side of latch, inside room to be locked. Insert latch into 1" edge bore of door. Secure face-plate over latch button with two wood screws. (Figure 1)
2. Insert privacy spindle (temporarily) for accurate mounting bracket tightening.
3. Insert nylon self-alignment plugs into both mounting brackets. (Figure 2)
4. Slide mounting brackets over spindle and fasten with machine screws. (Orient mounting brackets to show machine screw heads inside room to be locked.) Once mounting brackets are tight, remove self-alignment plugs and discard or set aside for additional installation. (Figures 3,4)
5. Remove spindle for easier rosette installation. Place rosette over mounting bracket and align peg into mounting bracket hole. Place trim nut through rosette and screw into mounting bracket. Before tightening, make certain privacy hole on rosette lines up with privacy hole on latch (where C-clip remains). Secure with trim nut key, taking care to not scratch rosette. Place privacy pin through privacy hole on rosette and screw into threaded hole on latch.
6. Place nylon spindle guide (knob) or trim nut bushings (lever) into trim nuts.
7. Align V-grooves on privacy spindle, facing downward. Insert from inside of room to be locked, until notched stop is resting against latch. If spindle is not fully inserted, handle will not function properly.
8. Place knob or lever over spindle and secure with set screw using provided Allen Wrench. Start with knob or lever in locked side of room, while pulling spindle from other side, to prevent spindle from shifting. Please note that set-screw should already be installed in knob or lever.

### CARE

Clean only with a soft, dry cloth. To protect the finish, we do not recommend the use of polishes or abrasives. If you have any questions regarding your Vicenza Designs product, please contact your local dealer.

# PRIVACY SET INSTALLATION (KNOB)

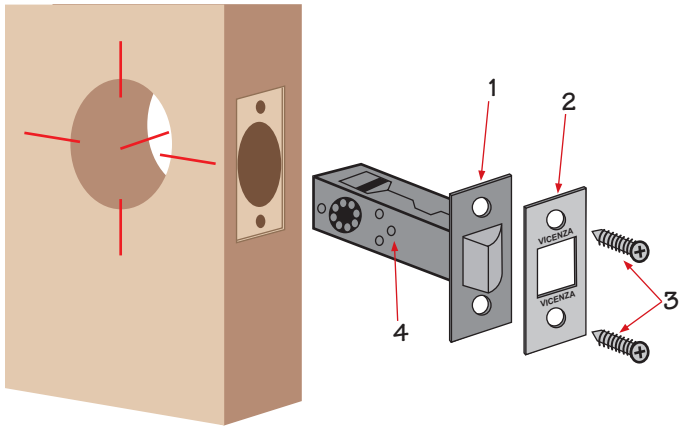


FIGURE 1

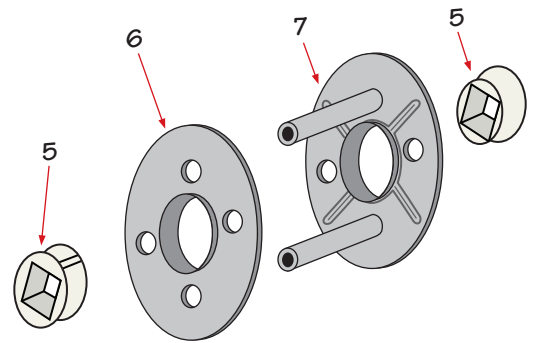


FIGURE 2

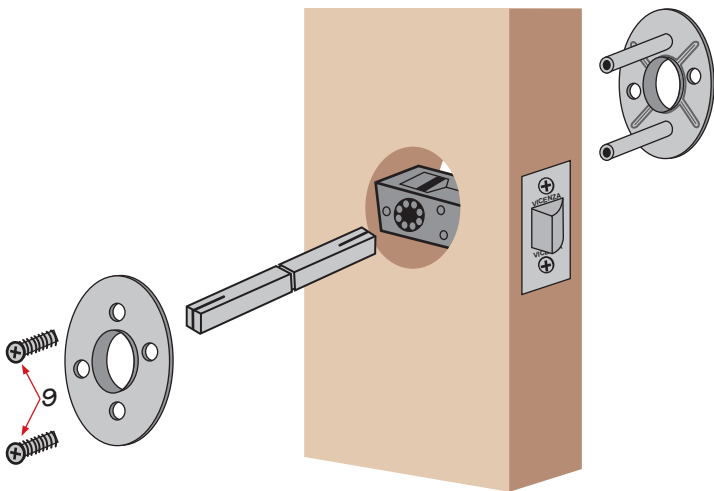


FIGURE 3

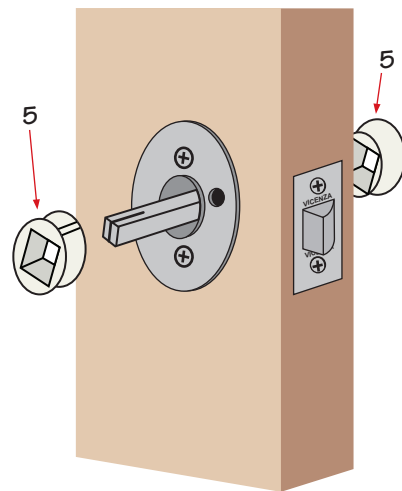


FIGURE 4

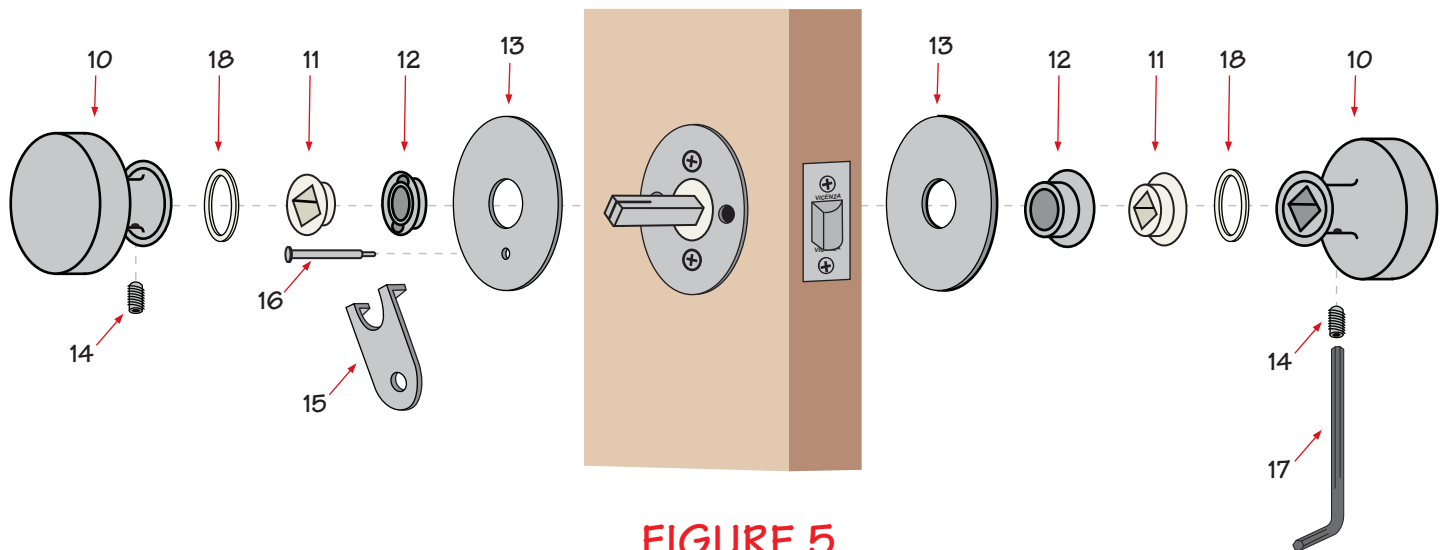


FIGURE 5